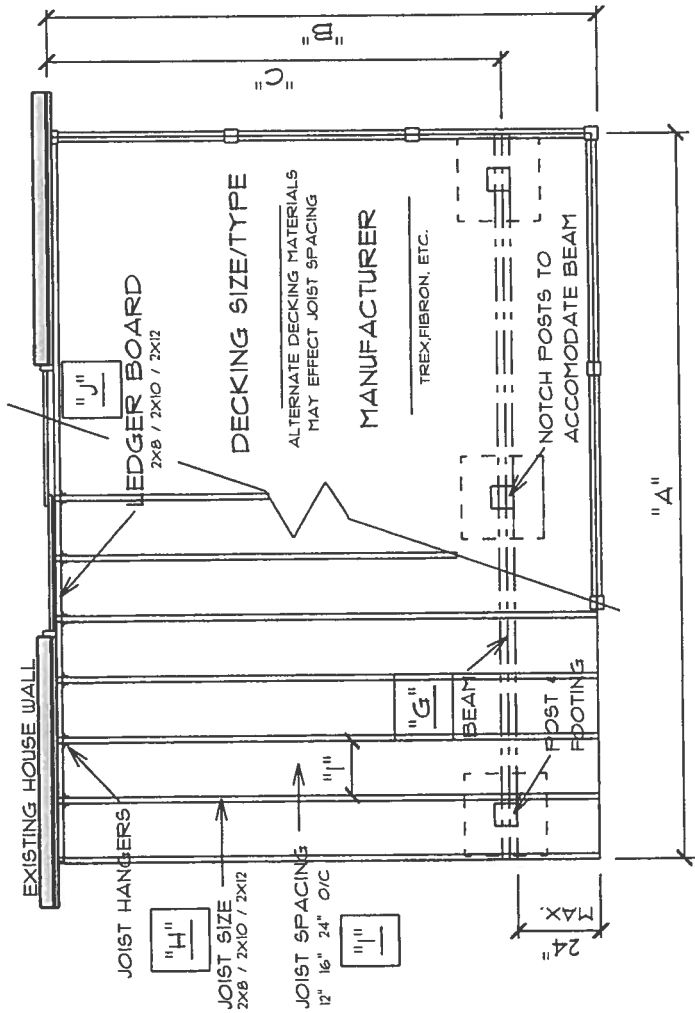


# BASIC DECK PLANS / DIMENSIONS AND SPECIFICATIONS

FOR USE WITH RESIDENTIAL DECKS ONLY



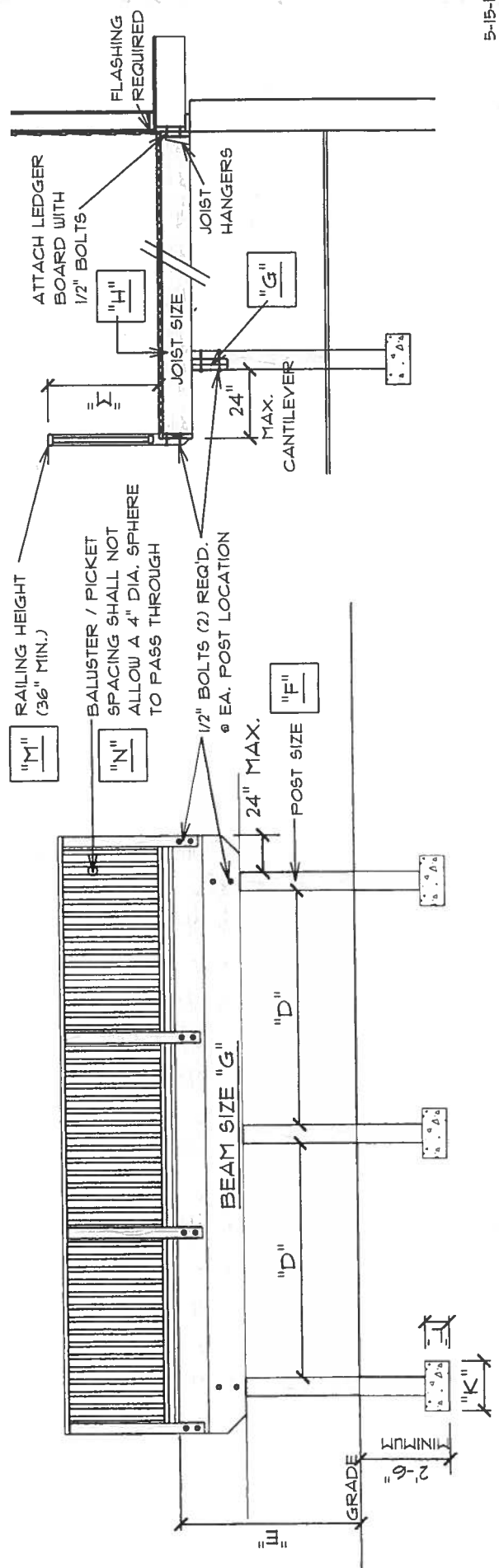
PERMIT # \_\_\_\_\_  
 I AGREE TO BUILD THE DECK TO THESE SPECIFICATIONS  
 AND THE HARFORD COUNTY BUILDING CODE.

SIGNATURE \_\_\_\_\_ DATE \_\_\_\_\_

## DECK DIMENSIONS

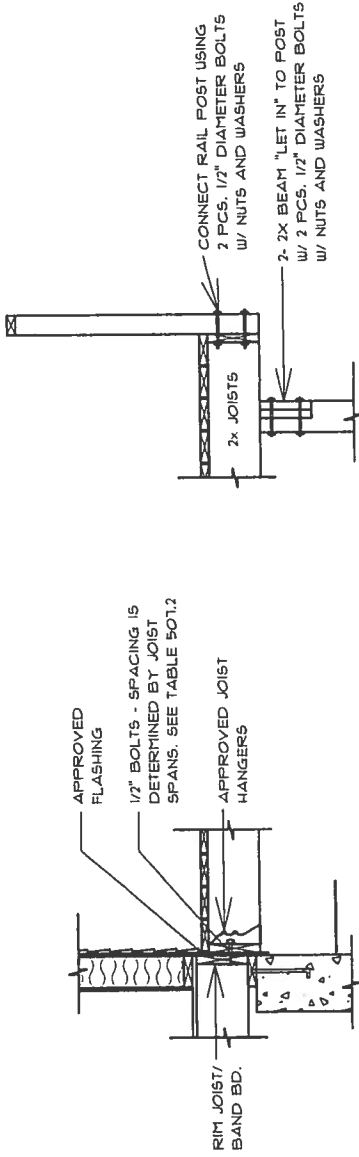
"A" = \_\_\_\_\_ "B" = \_\_\_\_\_ "C" = \_\_\_\_\_ "D" = \_\_\_\_\_  
 "E" = \_\_\_\_\_ "F" = \_\_\_\_\_ "G" = \_\_\_\_\_ "H" = \_\_\_\_\_  
 "I" = \_\_\_\_\_ "J" = \_\_\_\_\_ "K" = \_\_\_\_\_ "L" = \_\_\_\_\_  
 "M" = \_\_\_\_\_ "N" = \_\_\_\_\_

SEE OTHER SIDE FOR STAIRWAY INFORMATION  
 EXISTING HOUSE FLOOR SYSTEM & BAND BOARD IS:  
 \_\_\_\_\_ 2X LUMBER  
 \_\_\_\_\_ WOOD "I" JOISTS  
 \_\_\_\_\_ WOOD TRUSSES



# BASIC DECK PLANS / DIMENSIONS AND SPECIFICATIONS

FOR USE WITH RESIDENTIAL DECKS ONLY

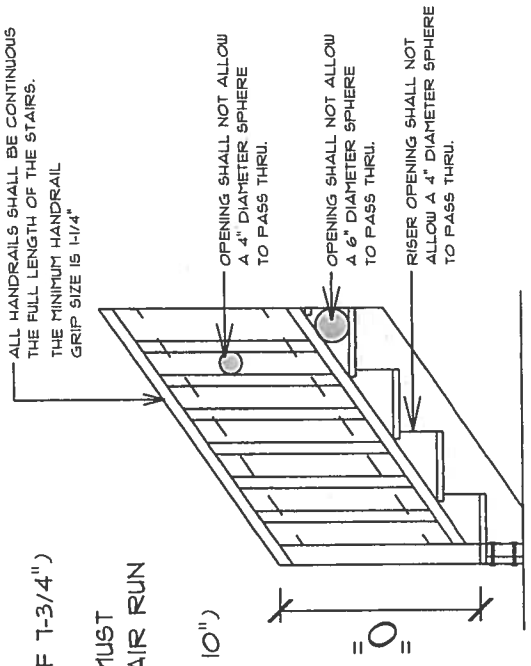


DECK LEDGER CONNECTION

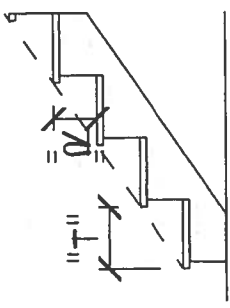
BEAM / POST & RAIL POST CONNECTION

STAIR DIMENSIONS

- "O" = \_\_\_\_\_ (34" MINIMUM)
- "R" = \_\_\_\_\_ (MAXIMUM OF 7-3/4")
- ALL RISERS MUST BE EQUAL
- RISERS @ TOP AND BOTTOM MUST MATCH THE RISERS IN THE STAIR RUN
- "T" = \_\_\_\_\_ (MINIMUM OF 10")
- ALL TREADS MUST BE EQUAL



STAIR / RAIL DIMENSIONS



STAIR / RISER DIMENSIONS

NOTE:  
FOR ADDITIONAL RESIDENTIAL DECK INFORMATION REFER TO WWW.AWC.ORG. CLICK ON - PRESCRIPTIVE RESIDENTIAL WOOD DECK CONSTRUCTION GUIDE.